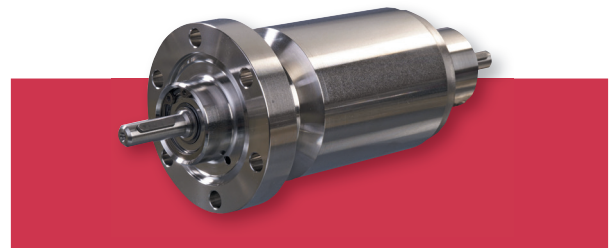


# VACUUM BELLOWS & MOVEMENT FEEDTHROUGHS

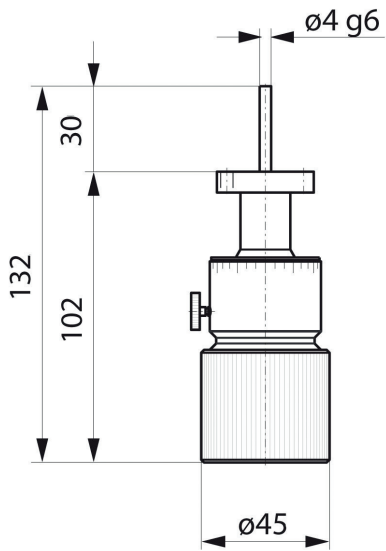
- Rotary Feedthroughs CF ..... K 10

# Rotary Feedthroughs CF

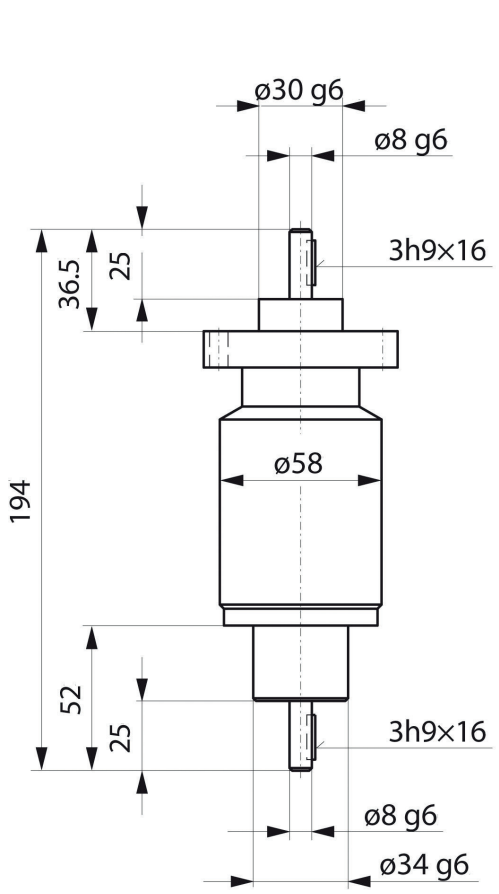
- Bellow sealed
- All-metal version



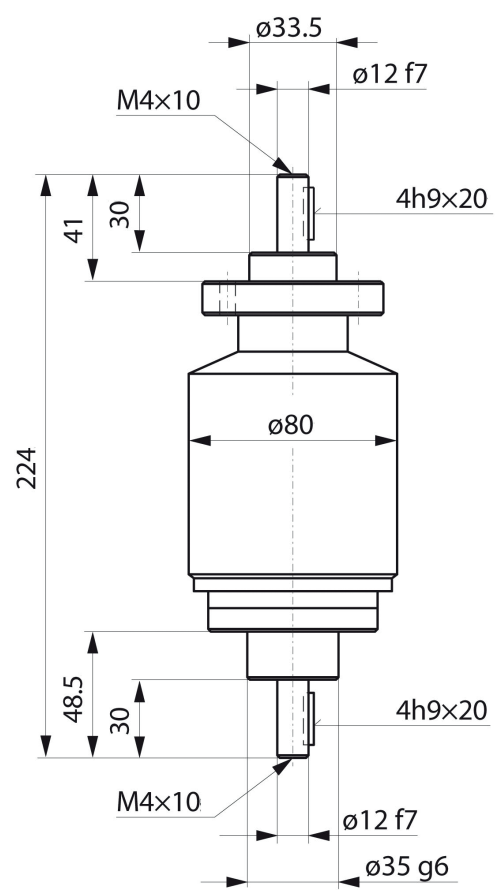
	UNIT	16 CF	40 CF	40 CF
Shaft connection	mm	4	8	12
Transferable torque: dynamic dynamic, at 300 °C static	Nm	0.4	4	10
	Nm	0.2	2	2
	Nm	0.2	3	5
Rotational speed At max. torque	rpm	200	1000	500
	rpm	-	500	300
Shaft load: radial force axial force	N	10	60	100
	N	5	20	30
Tightness	mbar.l.s <sup>-1</sup>	5.10 <sup>-11</sup>		
Pressure		1.10 <sup>-10</sup> mbar to 2 bar		
Operating temperature	°C	300		
Bakeout temperature	°C	300		
Materials exposed to process media	-	SS 304L SS 304		



16 CF

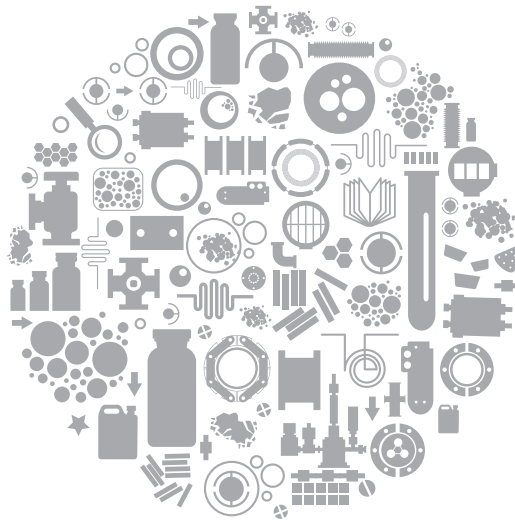


40 CF - 8 mm



40 CF - 12 mm

K



**neyco**

30 Avenue de la Paix  
92170 Vanves - France  
Tel: +33(0)1 41 90 50 50  
Fax: +33(0)1 41 90 50 51

**[www.neyco.fr](http://www.neyco.fr)**



Vacuum-K- 2013-1

**neyco**